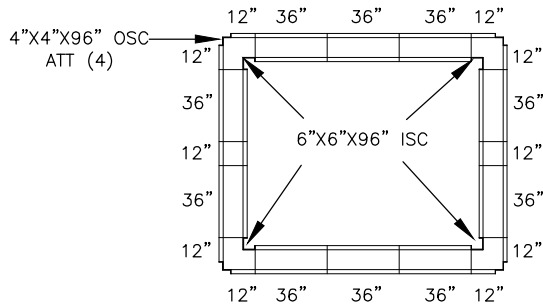


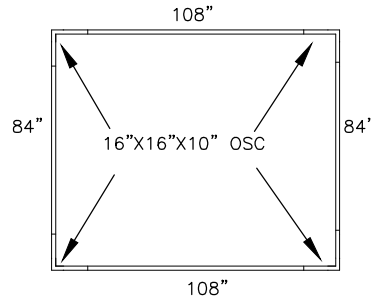
# PRECISE FORMS, INC

CUSTOMER: <b>STANDARD 8X10X8</b>		
DRAWN BY: <b>JIM CRAIN</b>	DATE: <b>9-6-19</b>	DRAWING NO: <b>SV-8X10X8</b>
DRAWING DESCRIPTION: <b>8'X10'X8' WITH 10" WALLS AND BASE SLAB MONOLITHIC &amp; RISER POUR</b>		

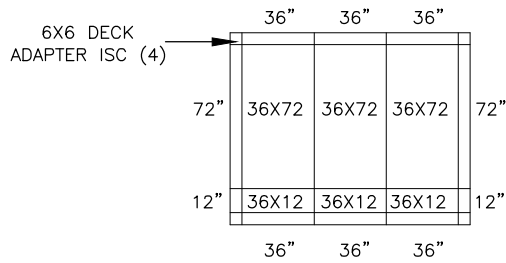
PLAN VIEW OF 96" WALL FORMS



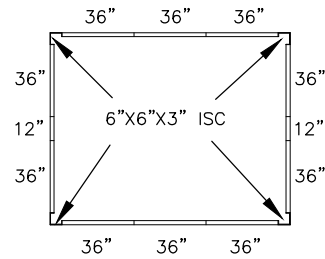
PLAN VIEW OF 10" EXTENSIONS PLACED ON TOP OF THE JACKET FORMS FOR THE MONOLITHIC POUR



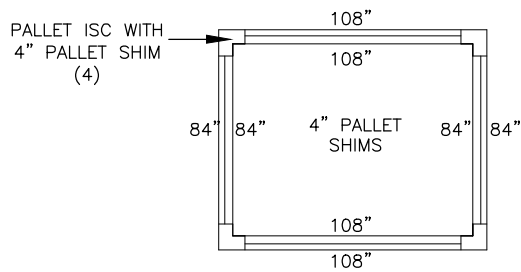
PLAN VIEW OF DECK ADAPTERS AND DECK FORMS FOR THE MONOLITHIC POUR



PLAN VIEW OF 3" EXTENSIONS PLACED ON TOP OF THE CORE FORMS FOR THE RISER POUR



PLAN VIEW OF PALLET AND 4" PALLET SHIM LAYOUT PLACED AGAINST THE FACE OF THE CORE FORM



PLAN VIEW OF THE HEADER LAYOUT PLACED ON TOP OF THE JACKET FORM

